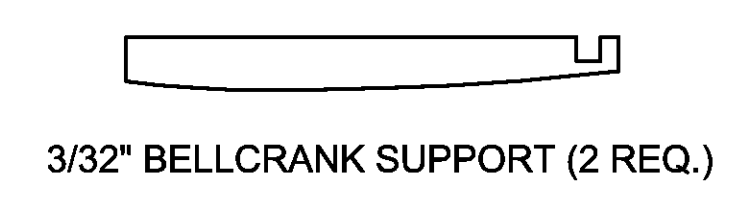
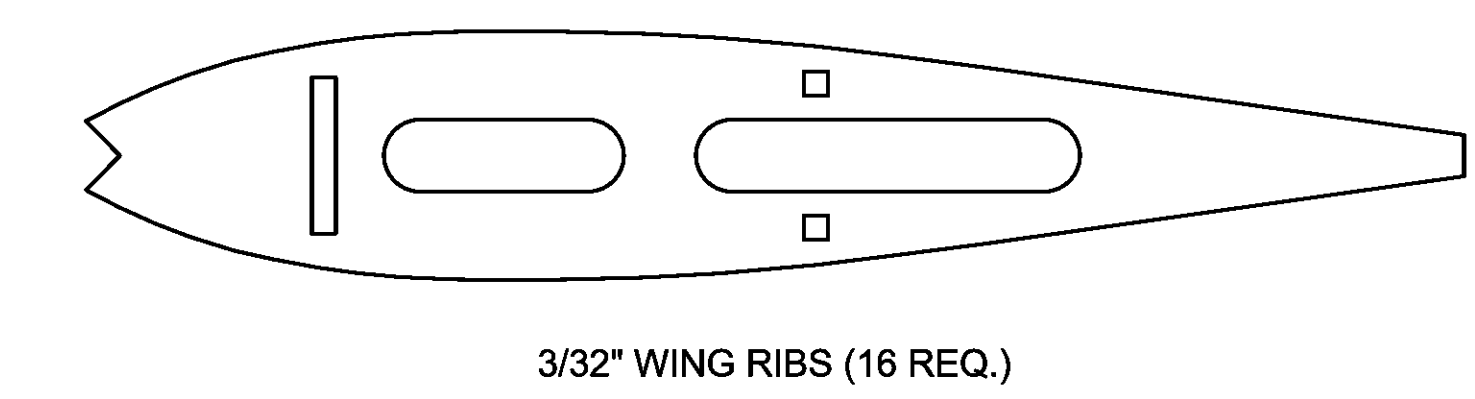
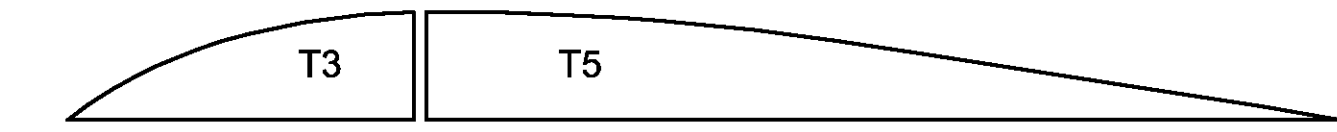
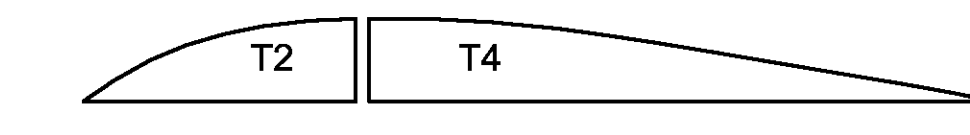
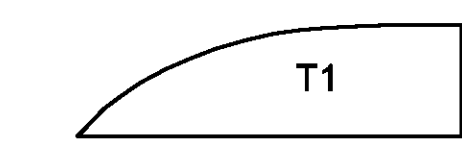


WING TOP VIEW

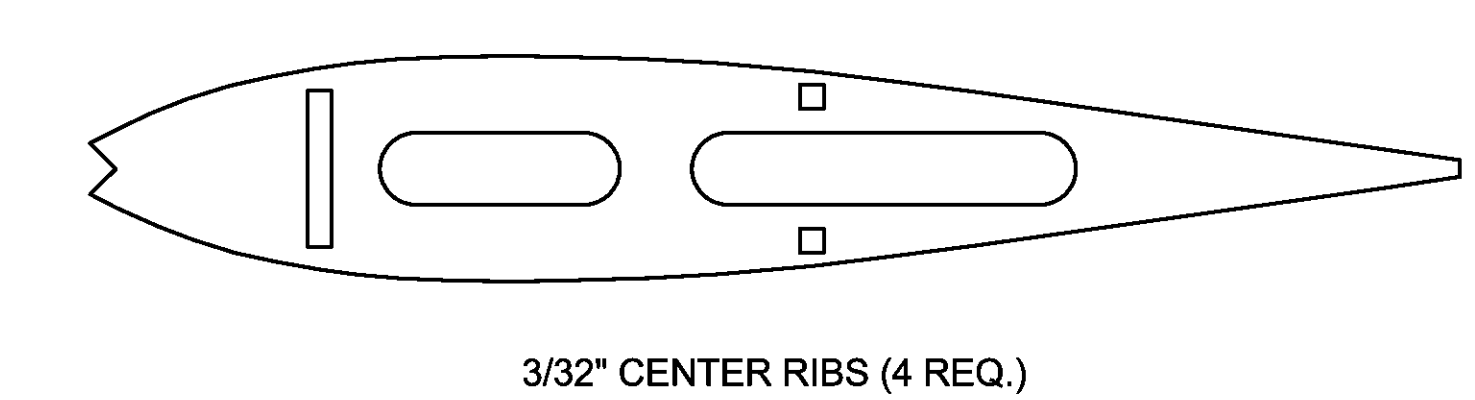


3/32" BELLCRANK SUPPORT (2 REQ.)

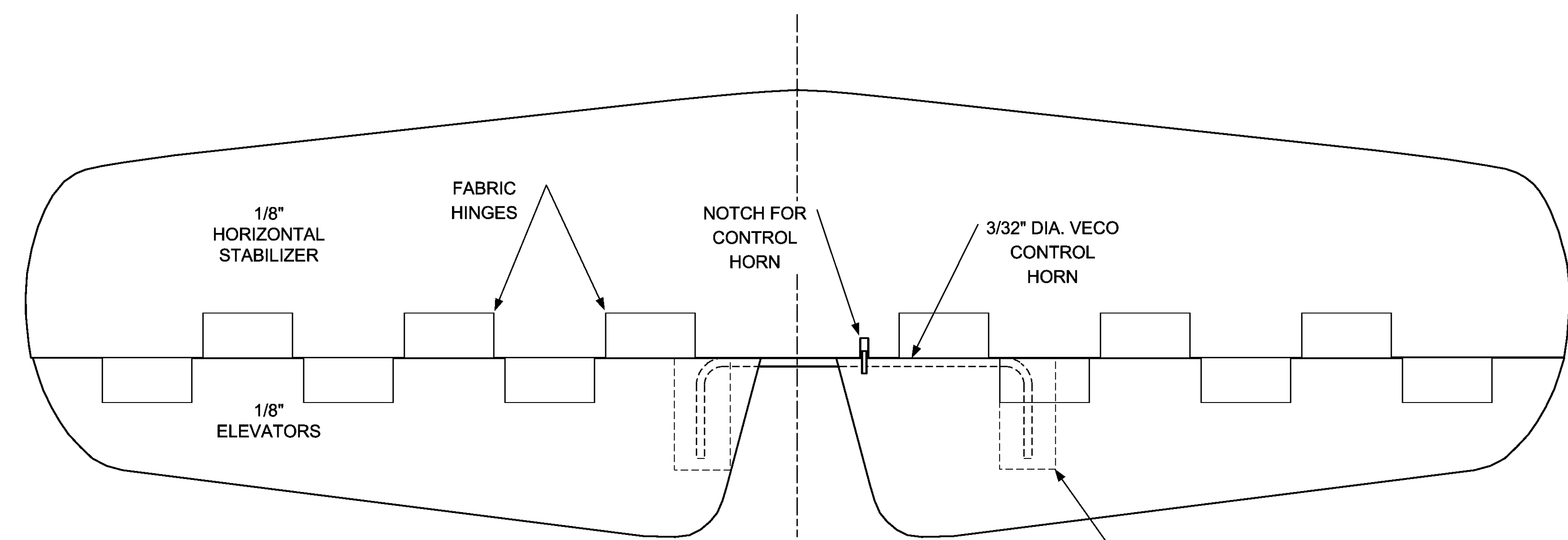


3/32" WING RIBS (16 REQ.)

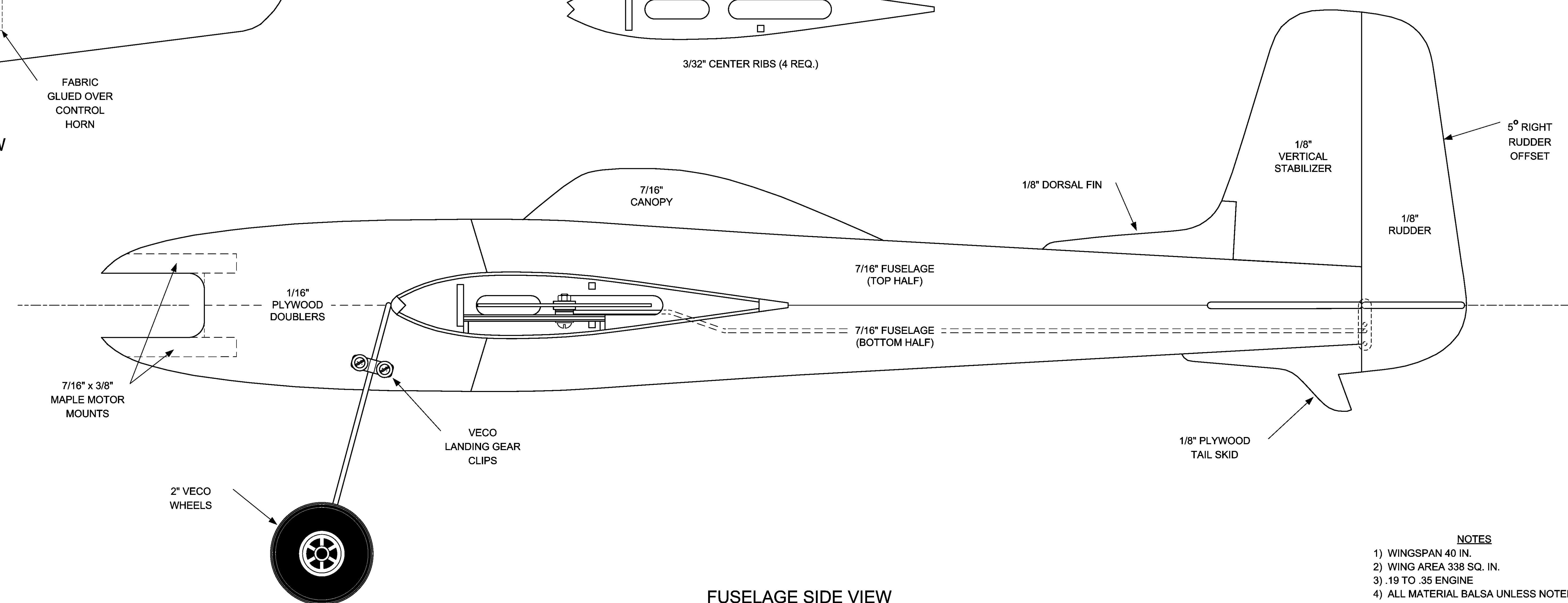
1/16" TIPS RIBS (4 EA. REQ.)



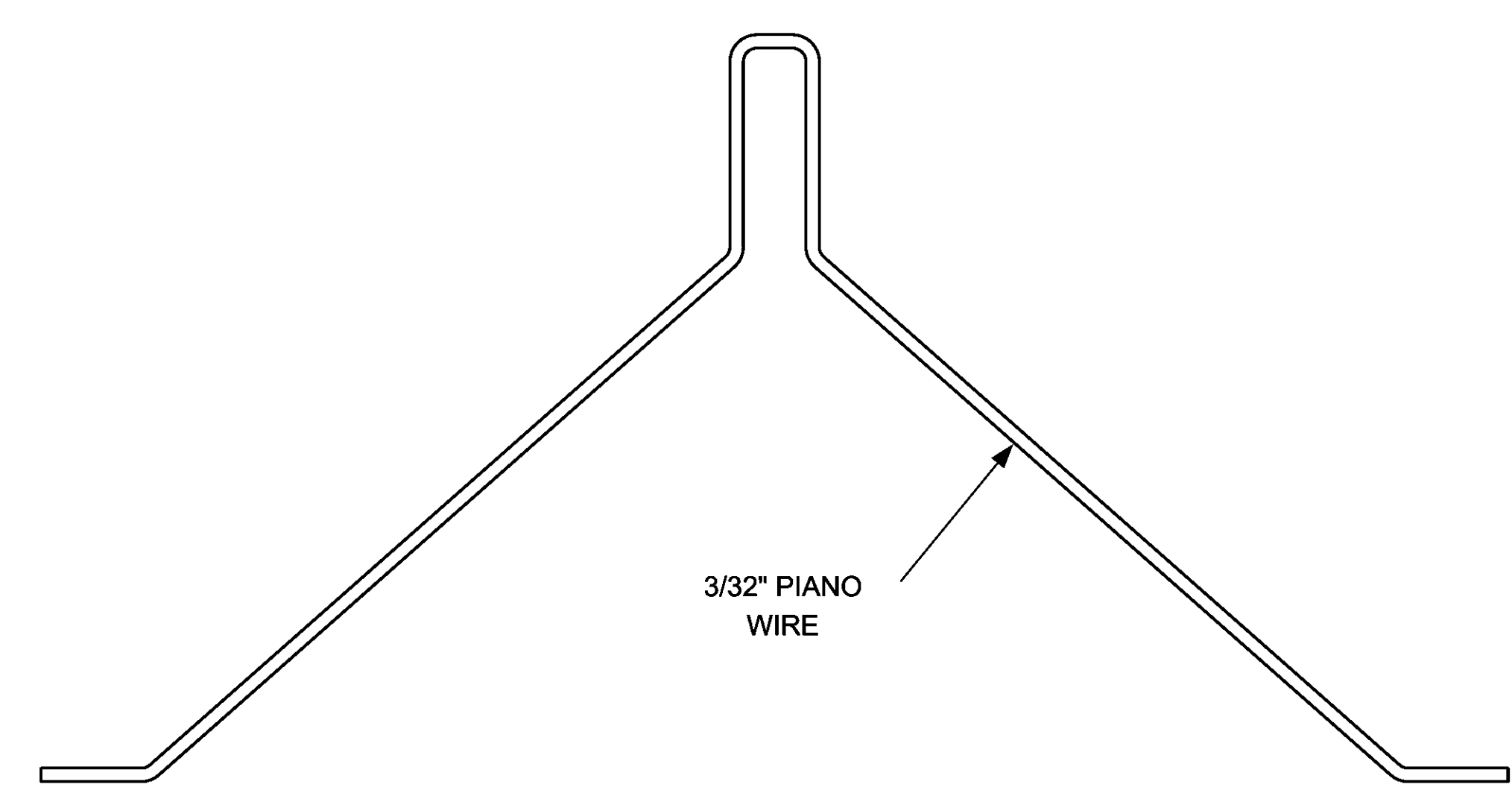
3/32" CENTER RIBS (4 REQ.)



HORIZONTAL STABILIZER TOP VIEW

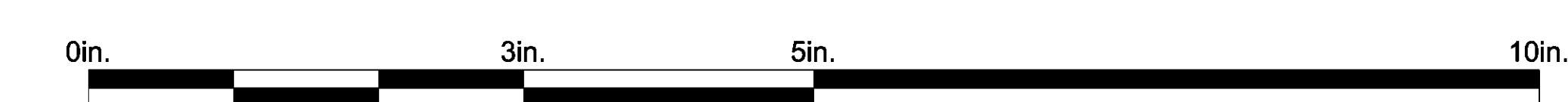


FUSELAGE SIDE VIEW



LANDING GEAR

- NOTES
- 1) WINGSPAN 40 IN.
  - 2) WING AREA 338 SQ. IN.
  - 3) .19 TO .35 ENGINE
  - 4) ALL MATERIAL Balsa UNLESS NOTED



TITLE	VECO TOMAHAWK	PAGE	1 OF 1
DRAWN BY	MARK GERBER	DATE	1/25/04
SCALE	1:1		